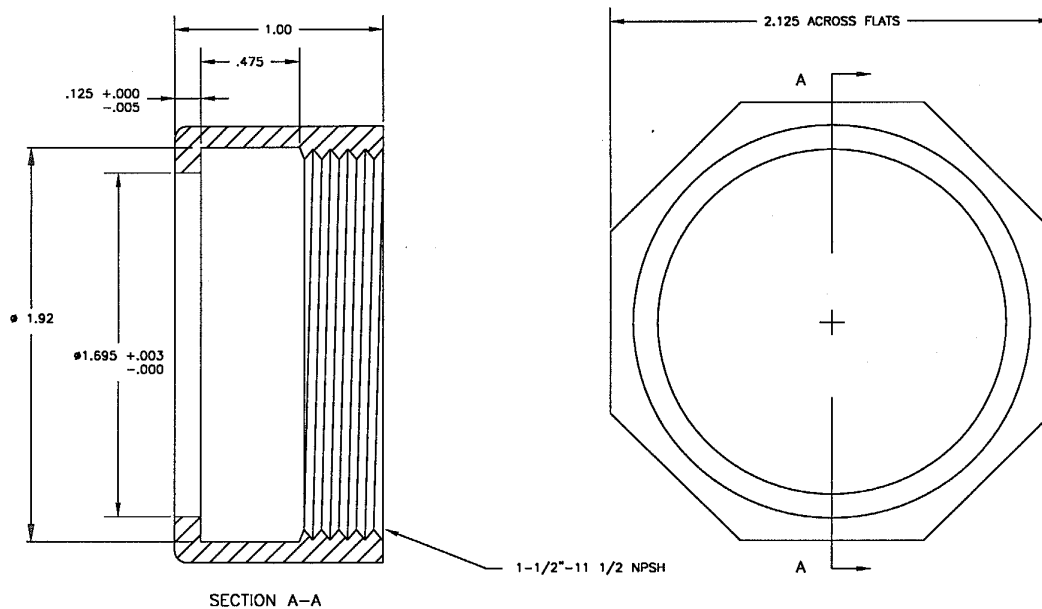


# Pipe Nuts in Heat & Corrosion Resistant Stainless Steels

A 3.0 inch pipe coupling octagonal nut sectional view shown with the product in SS304 alloy



**Dimensions of Pipe Nuts:** Custom-made to buyer's technical specifications or conforming to pipe fitting standards (ISO, DIN, BIS, ASTM )

**Alloys:** Standard and Non-Standard Corrosion & Heat Resistant Alloys

For example, ASTM/ACI- 743, 744, 351/DIN/BIS cast equivalents of

- Standard Wrought Martensitic Stainless Steel Alloy Type AISI- 403, 410, 414, 416, 416Se, 420, 420F, 422, 431, 440A, 440B, 440C
- Standard Wrought Austenitic Stainless Steel Alloy Type AISI- 201, 202, 205, 301, 302, 302B, 303, 303Se, 304, 305, 308, 309, 310, 314, 316, 317, 321, 330, 347, 348, 384
- Heat Resistant Alloys Type ACI-HA, HC, HD, HE, HF, HH, HI, HK, HL, HN, HP, HT, HU, HW, HX

For customized solutions, in other heat and corrosion resistant alloys not covered in this technical literature, please contact us.

Acme Alloys™ Private Limited is a 100% export business division of parent company, AcmeCast™ which is providing engineered casting™ solutions since 1980.

[www.acmealloys.com](http://www.acmealloys.com)

Phone: +91-11-2513 3021, 2514 3474 Fax: +91-11-2540 5799, 2514 6900 Email: [contact@acmealloys.com](mailto:contact@acmealloys.com) Website: <http://www.acmealloys.com>

WH-76 Mayapuri Industrial Area Phase-I New Delhi – 110 064 India

Dimensions of Pipe Nuts  
(All dimensions are in mm)

Size, d (Hexagon)	According to IS: 554	R <sub>p</sub> 1/8	R <sub>p</sub> 1/4	R <sub>p</sub> 3/8	R <sub>p</sub> 1/2		R <sub>p</sub> 3/4		R <sub>p</sub> 1		R <sub>p</sub> 1 1/4	R <sub>p</sub> 1 1/2
Size, d (Octagon)	According to IS: 2643	G 1/8	G 1/4	G 3/8	G 1/2	G 5/8	G 3/4	G 7/8	G 1	G 1 1/8	G 1 1/4	G 1 1/2
D, Nominal		18	20	25	30	30	33	38	43	47	52	56
e <sub>1</sub> , Min.	For Hexagonal	20.88	23.91	29.56	35.03	35.03	39.55	45.20	50.85	55.37	60.79	66.44
e <sub>1</sub> , Min.	For Octagonal	-	-	-	-	-	-	-	-	-	-	-
a, Nominal	For Hexagonal	1	1	1	1.5	1.5	1.5	1.5	1.5	1.5	2	2
a, Nominal	For Octagonal	6	6	6	8	8	9	9	10	10	11	12
m, h (15)	Maximum Minimum	6.00 5.25	6.00 5.52	6.00 5.52	8.00 7.42	8.00 7.42	9.00 8.42	9.00 8.42	10.00 9.42	10.00 9.42	11.00 10.30	12.00 11.30
S = 19, 14	Nominal	19	22	27	32	32	36	41	46	50	55	60
S	Maximum	19.00	22.00	27.00	32.00	32.00	36.00	41.00	46.00	50.00	55.00	60.00
S > 19, 15	Minimum	18.48	21.16	26.16	31.00	31.00	35.00	40.00	45.00	48.80	53.80	58.80

Phone: +91-11-2513 3021, 2514 3474 Fax: +91-11-2540 5799, 2514 6900 Email: [contact@acmealloys.com](mailto:contact@acmealloys.com) Website: <http://www.acmealloys.com>

WH-76 Mayapuri Industrial Area Phase-I New Delhi – 110 064 India

Dimensions of Pipe Nuts  
(All dimensions are in mm)

Size, d (Hexagon)	According to IS: 554	-	R <sub>p</sub> 2	R <sub>p</sub> -	R <sub>p</sub> 2 1/2	R <sub>p</sub> 3	-	R <sub>p</sub> 4	-	R <sub>p</sub> 5	-	R <sub>p</sub> 6
Size, d (Octagon)	According to IS: 2643	G 1 3/4	G 2	G 2 1/4	G 2 1/2	G 3	G 3 1/2	G 4	G 4 1/2	G 5	G 5 1/2	G 6
D, Nominal		65	70	80	90	100	115	128	143	158	172	182
e <sub>1</sub> , Min.	For Hexagonal	77.74	83.39	94.47	105.77	117.07	139	150.74	-	-	-	-
e <sub>1</sub> , Min.	For Octagonal	-	-	-	-	-	-	-	162.5	179.0	194.5	206
a, Nominal	For Hexagonal	2	2	2	2	2	2	2	2	2	2	2
a, Nominal	For Octagonal	13	13	16	16	19	19	22	22	22	25	25
m, h (15)	Maximum Minimum	13.00 12.30	13.00 12.30	16.00 15.30	16.00 15.30	19.00 18.16	19.00 18.16	22.00 22.16	22.00 21.16	22.00 21.16	25.00 24.16	25.00 24.16
S = 19, 14	Nominal	70	75	85	95	105	120	135	150	165	180	190
S	Maximum	70.00	75.00	85.00	95.00	105.00	120.00	135.00	150.00	165.00	180.00	190.00
S > 19, 15	Minimum	68.80	73.80	83.06	93.60	103.60	118.60	133.40	148.40	163.40	178.40	188.15

#### USA

Acme Alloys | 1800 Golden Oak Street | Thousand Oaks | California 91320  
Phone 949-439-0839 Fax 949-203-2179 Email [amit@acmealloys.com](mailto:amit@acmealloys.com)

Acme Alloys™ Private Limited is a 100% export business division of parent company, AcmeCast™ which is providing engineered casting solutions since 1980.

[www.acmealloys.com](http://www.acmealloys.com)